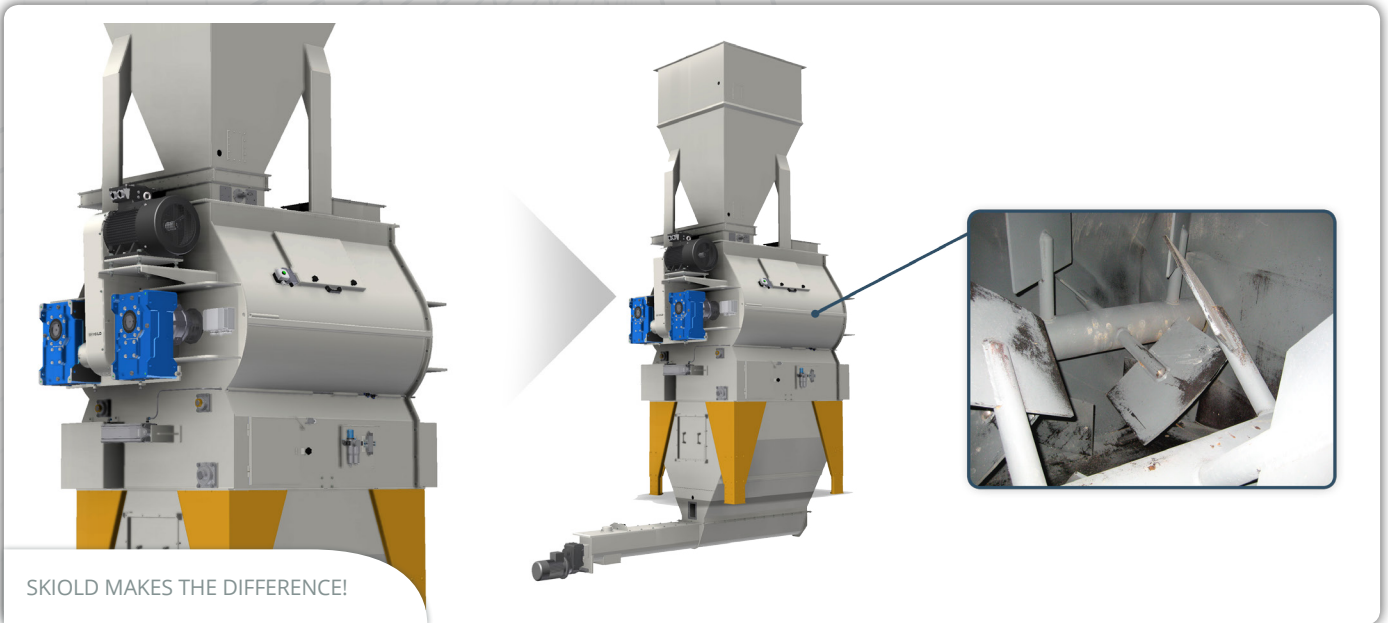




SKIOLD PADDLE MIXER PTS2000/PTS4000/PTS5000/PTS6000



SKIOLD DOUBLE SHAFT PADDLE MIXER

For mixing of compound feed and feed ingredients

Double gear box drive

Heavy duty industrial execution

Quick filling and emptying

Available with pre-bin and discharge bin

Fully emptying through "bomb doors"

Addition of up to 3 different liquids

Mixing time and accuracy verified by MTSE, Germany

SKIOLD PADDLEMIXER PTS2000/4000/5000/6000

TECHNICAL SPECIFICATIONS

	PTS2000	PTS4000	PTS5000	PTS6000
Mixing capacity (t/h):	15	30	37,5	45
Batch size (litres):	2000	4000	5000	6000
Batch size (kg):	1000	2000	2500	3000
Batch time (minutes):	3	3	3	3
Mixing time (dry ingredients) (minutes):	< 1	< 1	< 1	< 1
Mixing time (liquid ingredients < 3%) (minutes):	< 2	< 2	< 2	< 2
Mixing accuracy:	1:100000	1:100000	1:100000	1:100000
Motor size (kW):	22	37	37	45
Door operation:	Pneumatic	Pneumatic	Pneumatic	Pneumatic
Empty weight mixer (kg):	4000	5800	7000	8650
Empty weight mixing tower (kg):	5300	7000	9400	11500

DIMENSIONS IN MM

	PTS2000	PTS4000	PTS5000	PTS6000
A	5729	6567	7073	7018
B	994	1120	1120	1120
C	2003	2279	2279	2405
D	2732	3171	3671	3493
E	2030	2285	2286	2561
F	2767	3399	3945	4126
G	843	1248	1251	1305

