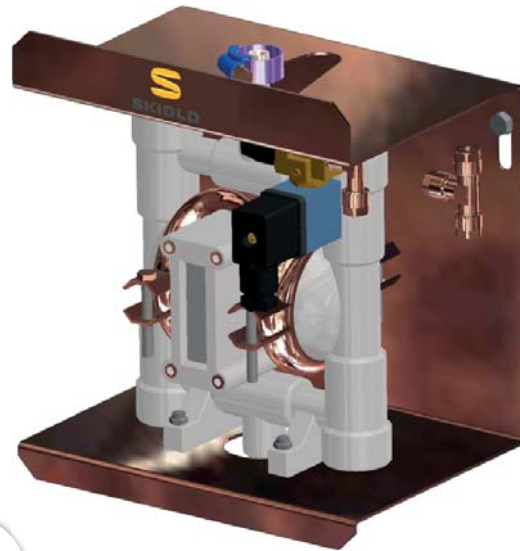




ACID PUMP



SKIOLD MAKES THE DIFFERENCE!

- SKIOLD acid pump air driven, is a simple and reliant membrane pump.
- Suitable for most acid products addition.
- Can be used for other harmless liquid products, but with no responsibility of SKIOLD.
- Electrical controlled by Skiold Liquid feeding systems, by 24 Vdc/200mA.
- Powered by air pressure max 6,5 Bar.
- Adjustable pump speed by airflow adjustment from 1.0 L/M to 15 L/M. The max. is also limited by the pumping distance, and the air pressure.
- NOT suitable for Propionic acid.

The SKIOLD air driven Acid pump is normally used for adding small amounts of Acid into liquid feed during preparation, to ensure proper function the following design rolls must be followed:

From the bottom of the tank containing the acid to the pump, a max. distance of 2 meters, and the distance from the pump to the liquid mixing tank, not more than max 20 meters.

Technical information:

Outlet - For hose types of inside diameter app. 9,0 mm.

Inlet - For hose types of inside diameter app. 9,0 mm.

Control - 24 Vdc/200mA.

Adjustment of flow in the range from 1,0 L/M to max. 15 L/M

NOT ATEX approved

Weight 3 Kg.

For the lead through in the mixers - use tank inlet for pipe thickness 0-45mm.

| Pos. | Item no. | Item description |
|------|-----------------|---|
| 1 | 140 315 000 000 | Acid pump, complete |
| 2 | 140 323 000 004 | Hose, Ø10mm internally, transparent |
| 3 | 140 309 050 441 | Standard tank through connecting 0-45mm, complete |
| 4 | 140 671 502 510 | Pipe, PVC, Ø25 x 1,9mm, PN16 |

