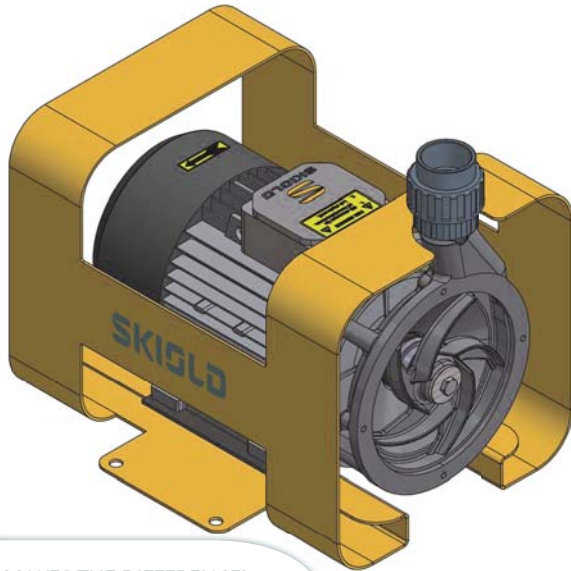




CENTRIFUGAL PUMP SC1



SKIOLD MAKES THE DIFFERENCE!

- SKIOLD CENTRIFUGAL PUMP TYPE SC1
- 40% MORE ENERGY EFFICIENT !
- SKIOLDS new own produced centrifugal pump designated for liquid feeding of pigs, is improved in several important points.
- New high-tech material composition.
- Improved durability - extended service life - lower operating costs.

The viscosity of the liquid to be pumped, must be in a typical dilution rate, from 2.6 to 4 (liters of water per kg of dry feed, remember that some dry ingredient will obtain the water different).

The SKIOLD A/S SC1 pump is designed in hardened duplex stainless steel, for long lifetime and to be chemical resistant to normal PH range of liquid feed for pigs, typical between Ph4 and Ph7, and material and ambient temperature range from +2 °C to 40 °C.

The pump is designed to work with a positive pressure from 0.04 to 0.8 bar in front of the pump.

Technical information:

Outlet - PVC Inside Ø50.

Inlet - Outside Ø76 for hose connection or Inside 2.5" threads.

- Motor 230/400 Vac - 50/60 hz - 5,5 Kw. - IE3 - ATEX,

- Motor 230/400 Vac - 50/60 hz - 7,5 Kw. - IE2 - NOT ATEX approved.

The complete pump is NOT ATEX approved.

Weight 45 Kg.



