



SKIOLD DISC MILL SK780



SKIOLD MAKES THE DIFFERENCE!

SKIOLD DISC MILL SK780

Optimal feed structure for all animal groups

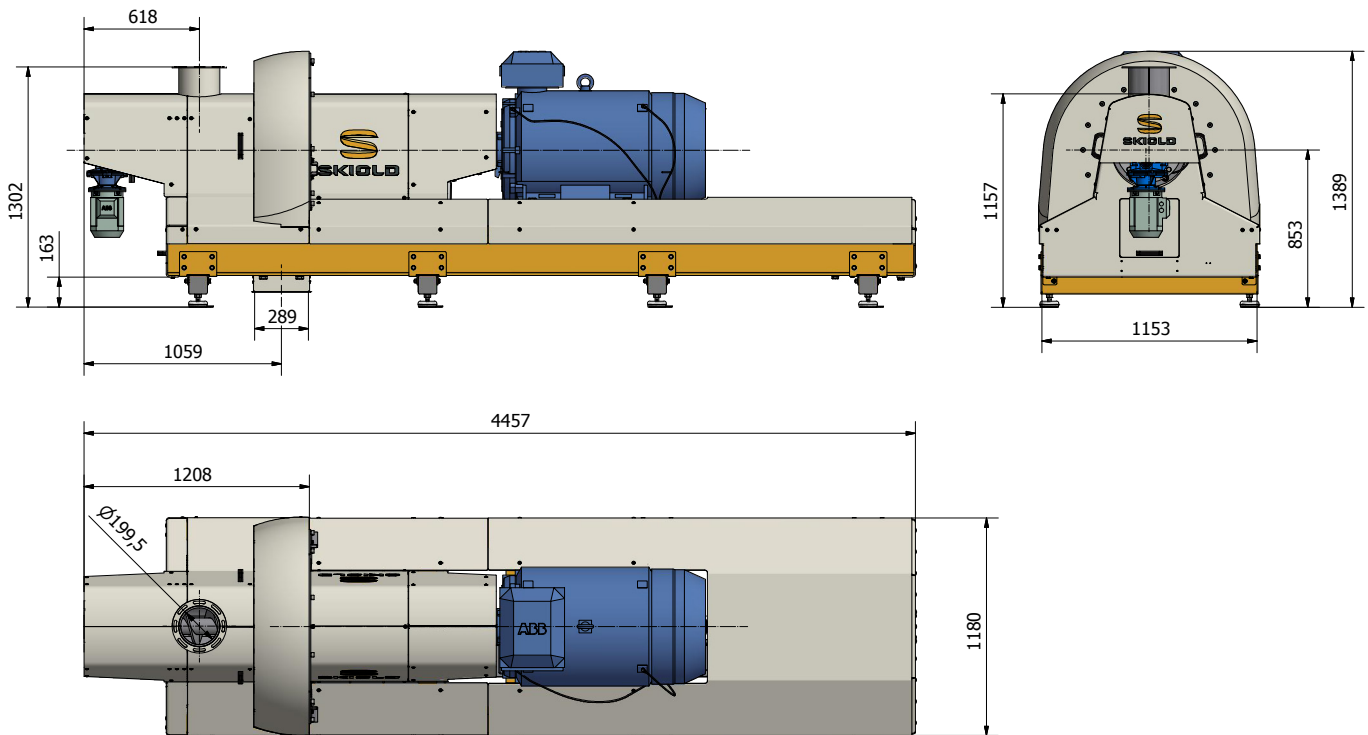
Exceptional durability on wearing parts

Low power consumption

Capacity up to 30 t/h

Quiet running

SKIOLD DISC MILL SK780



TECHNICAL SPECIFICATIONS

Main motor (kW):	160 - 200
Main motor (o/m):	3000
Disc diameter, external (mm):	780
Distance regulation:	Automatic
Approx. noise level (dB):	80
Shipping weight (kg):	4600
Feeding auger (kW):	0,75
Feeding auger (rpm):	1400

CAPACITY

Cereal	160 kW	200 kW
Barley	9000-19500	12000-26000
Wheat	9000-22500	12000-30000
Maize	9000-22500	12000-30000
Oats	7500-18000	12000-24000
Peas	7500-18000	12000-24000

In storage dry and well cleaned crops, max. kg/h.
The capacity depends on the grinding fineness.

SKIOLD SK780 DISC MILLS may be used for grinding of ordinary cleaned small-grained seed crops in storage dry condition and with a maximum diameter of 10 mm. Wheat, barley etc. can furthermore be ground from air tight silo with up to 25 % moisture content. However, please note that the capacity is reduced by approx. 5 % for each percentage of moisture content higher than 15 % - for example 18 % moisture content reduces the capacity by $(18-15) \times 5 = 15\%$.

The disc mill is also suitable for granulation of clean pelleted feed products, and wood pellets, with a pellet diameter of up to Ø25 mm.