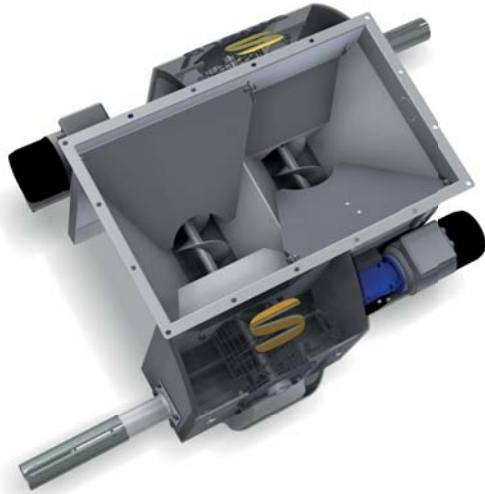




DOUBLE HOPPER TRANSPORK®



SKIOLD MAKES THE DIFFERENCE!

- The Hopper is made of stainless steel.
- Fitted with stone trap.

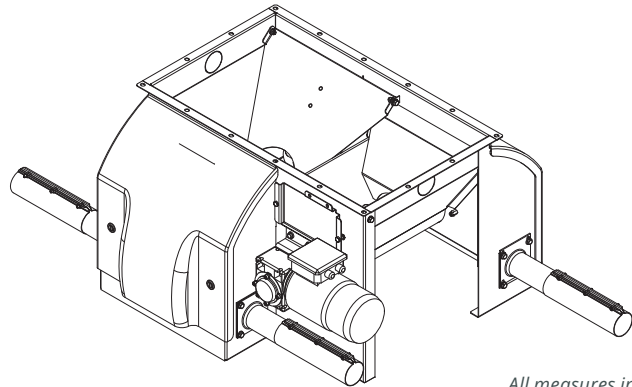
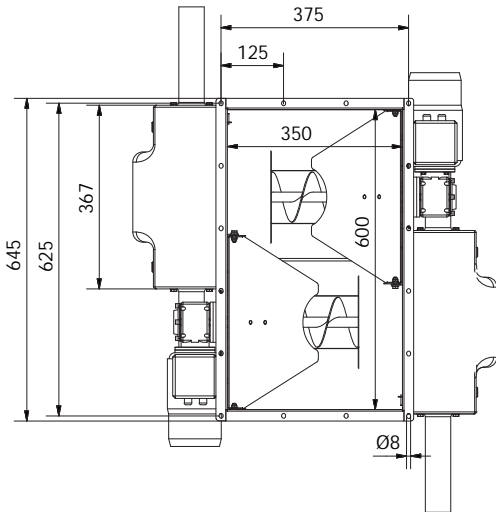
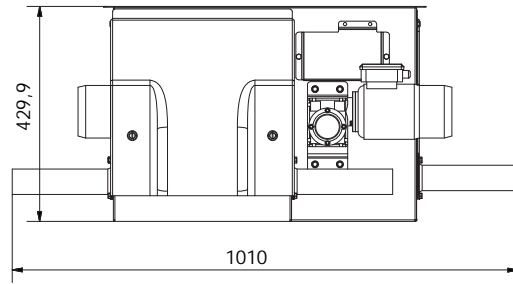
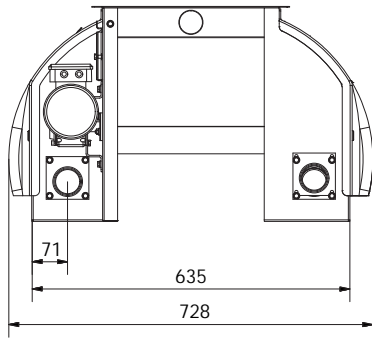
TECHNICAL SPECIFICATIONS:

Data/Item number	140 132 320 900	140 132 320 600	140 132 320 800
Pipe Diameter	Ø50,8mm	Ø50,8mm	Ø50,8mm
Capacity* litre/hour	630	600	1000
Supply Voltage	3x230V/3x400V		
Motor Size / Frequency	0,09kW 50Hz		
Current at 230V/400V	0,74/0,43A		
Rotational Speed	1320 rpm	cable driven	cable driven
Linear speed at the Drive unit	22 metres/minute	22 metres/minute	22 metres/minute
Revolutions p/m at the Hopper	26 rpm	29 rpm.	29 rpm
Gear Ratio at the Hopper	50:1	cable driven	cable driven
Auger diameter/pitch	Ø100/70	Ø100/60	Ø100/100

*Guideline density: Flour = 0,55 kg/liter, Pellets = 0,7 kg/liter.

Please note: Capacity in flour feed can vary considerably, depending on the feed's nature.





All measures in mm.



TECHNICAL SPECIFICATIONS:

Data/Item number	140 132 320 700	140 132 321 600
Pipe Diameter	Ø50,8mm	Ø60mm
Capacity* litre/hour	1100	1440
Supply Voltage	3x230V/3x400V	3x230V/3x400V
Motor Size / Frequency	0,09kW 50 Hz	0,09kW 50Hz
Current at 230V/400V	0,74/0,43A	0,74/0,43A
Rotational Speed	1320 rpm	1320 rpm
Linear speed at the Drive unit	22 metres/minute	22 metres/minute
Revolutions p/m at the Hopper	33 rpm	52 rpm
Gear Ratio at the Hopper	40:1	25:1
Auger diameter/pitch	Ø100/100	Ø100/80

*Guideline density: Flour = 0,55 kg/liter, Pellets = 0,7 kg/liter.

Please note: Capacity in flour feed can vary considerably, depending on the feed's nature.