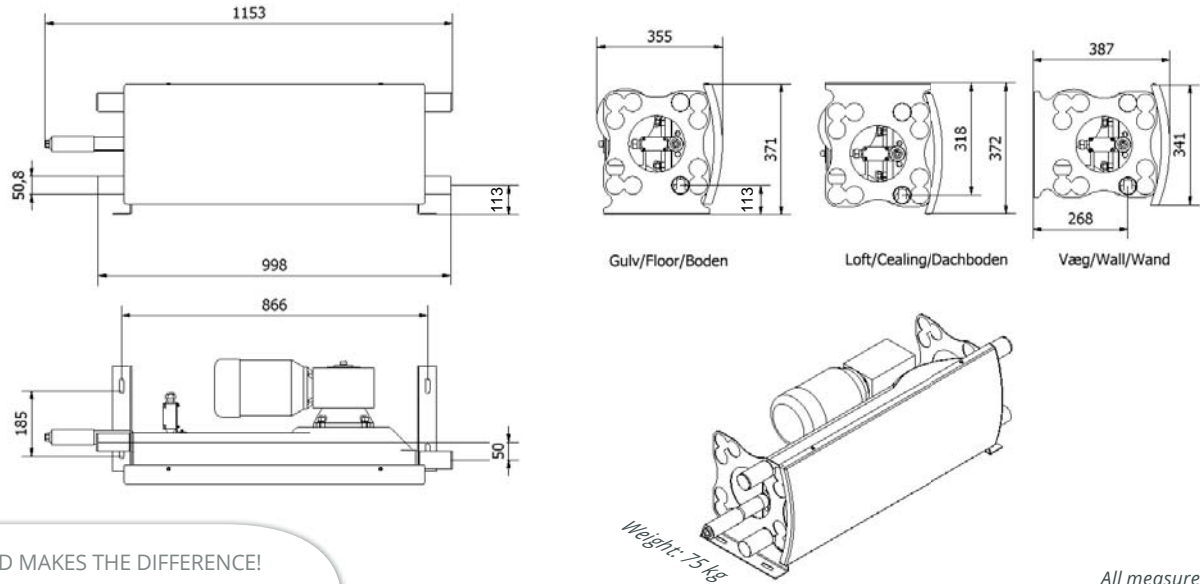




DRIVE UNIT MINIPORK



SKIOLD MAKES THE DIFFERENCE!

All measures in mm.

Drive Unit MiniPork

SKIOLD MiniPork has a unique design and can be installed on the floor or mounted on a wall or ceiling. The equal placement of inlet and outlet of the SKIOLD MiniPork enables a horizontal installation of the feed pipe. The pulling direction of the drive unit is reversible and simplifies the installation.

The drive unit is equipped with an integrated console, which prevents cable breakage in case of overloading by foreign bodies. Furthermore the drive unit is equipped with a switch, which automatically stops the plant if the cable gets too loose. An outside indicator shows, when the cable needs tightening and when a potential shortening is required.



Technical specifications:	
Data/Varenummer	140 131 110 000
Pipe dia./ Motor size	Ø50,8mm/0,75kW
Supply Voltage	3x230V/3x400V
Frequency	50Hz
Rotational speed	1400 rpm
Current at 3x230V	3,6A
Current at 3x400V	2,1A
Gear ratio	50:1
Linear speed	22 metres/minute
Pipe content at 60% fill.	0,90 litres/meter
Capacity at 60% filling.	1212 litres/hour

Transport:
Euro pallet 800 x 1200 x 400mm.

Included are:

- 1 off inlet pipe
- 1 off outlet pipe
- 2 off tube joints
- 1 off complete cable connector
- 1 off assembly tool
- 1 off bolt kit including 2 off safety pieces

Finish: Painted.

Guideline density: Flour = 0,55 kg/liter, Pellets = 0,7 kg/liter.

Please note: Capacity in flour feed can vary considerably, depending on the feed's nature.

Dimensioning diagram minipork

This dimensioning diagram is used for calculating the max. plant length. The various components in the plant contribute with their own load. In order to facilitate the calculation, the various loads are converted into pipe lengths according to following directions.

Influence:	Number	Contrib.	Calculated pipe length m
1 m horizontal transport pipe		1	
1 m transport pipe with 45° inclination		2	
1 m vertical transport pipe		5	
Corner		12,5	
Hopper with motor, straight passage		5	
Hopper without motor, straight passage		30	
1 m empty horizontal transport pipe		-0,5	
Total pipe length, converted =			

The total converted pipe length cannot exceed the below max. values for the various drive units.

Drive units./Minipork	Max. converted pipe length	
	Pellets	Flour
Drive unit Ø50,8mm/22/0,75kW	365m	425m

Note: The TransPork plant can be used for transporting materials with a diameter of up to Ø5 mm, the length cannot exceed 10 mm. The plant cannot be recommended transporting beet pellets and other hard pellets. Max. length of transport wire is 350 metres due to drive unit tensioning capability.