

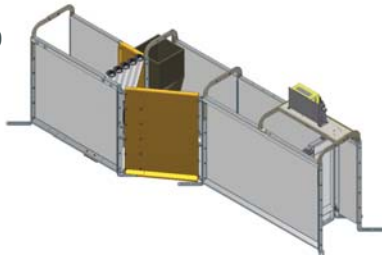


ESF TRAINING STATIONS

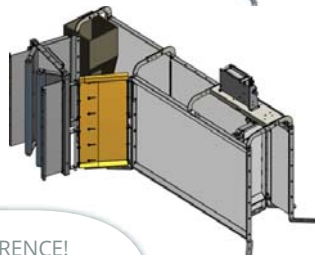


Training station including automatic control of the entry gate

140571100100

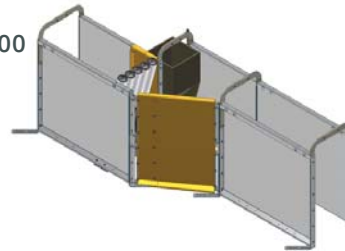


140571100300

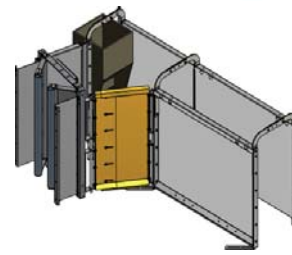


Training station without controlbox and entry gate

140571100200



140571100400



SKIOLD MAKES THE DIFFERENCE!

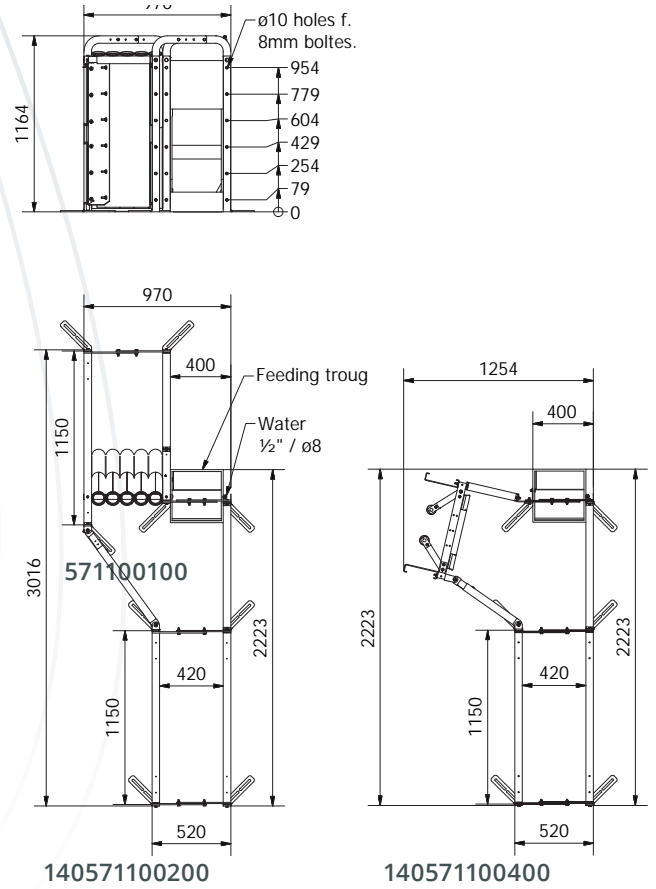
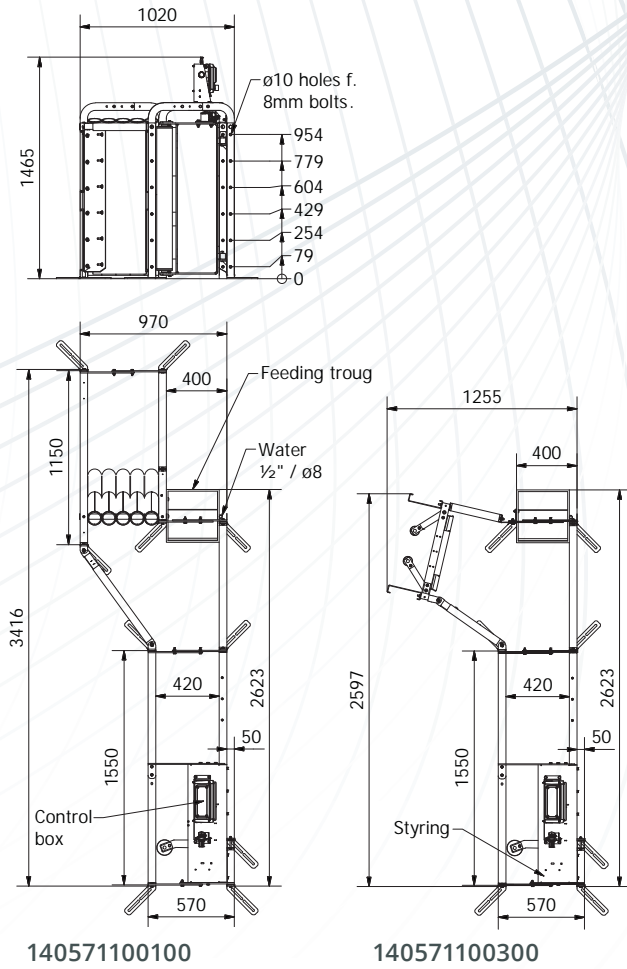
- A training station, where the young sows are left alone to eat, and learn to walk through the exit door.
 - **Entry gate with automatic control.**
 - 3 settings:
 - **0:** the station is closed.
 - **MAN:** the entry gate is permanently open.
 - **AUT:** entry gate is open, closes based on a setting delay time, after the sow is below the sensor. The gate opens again after a second setting delay time.
 - Ad libitum trough for dry feed.
 - Possibility of having a water valvet in the trough.
 - Exit door: Salon gate or pipe exit. 5 pipes which tilts up when the sow walk through.
 - **External connections:**
 - 230 Vac (plug+3m cable included)
 - Air supply of min. 4 bar.
 - Water supply of min. 3 bar.
 - Feed supply to the trough.
- A simple training station, where the young sows learn how to eat in the station, and learn to walk through the exit door.
 - **No entry gate.**
 - No automatic control.
 - Ad libitum trough for dry feed.
 - Possibility of having a water valvet in the trough.
 - Exit door: Salon gate or pipe exit. 5 pipes which tilts up when the sow walk through.
 - **External connections:**
 - Water supply of min. 3 bar.
 - Feed supply to the trough.



SKIOLD

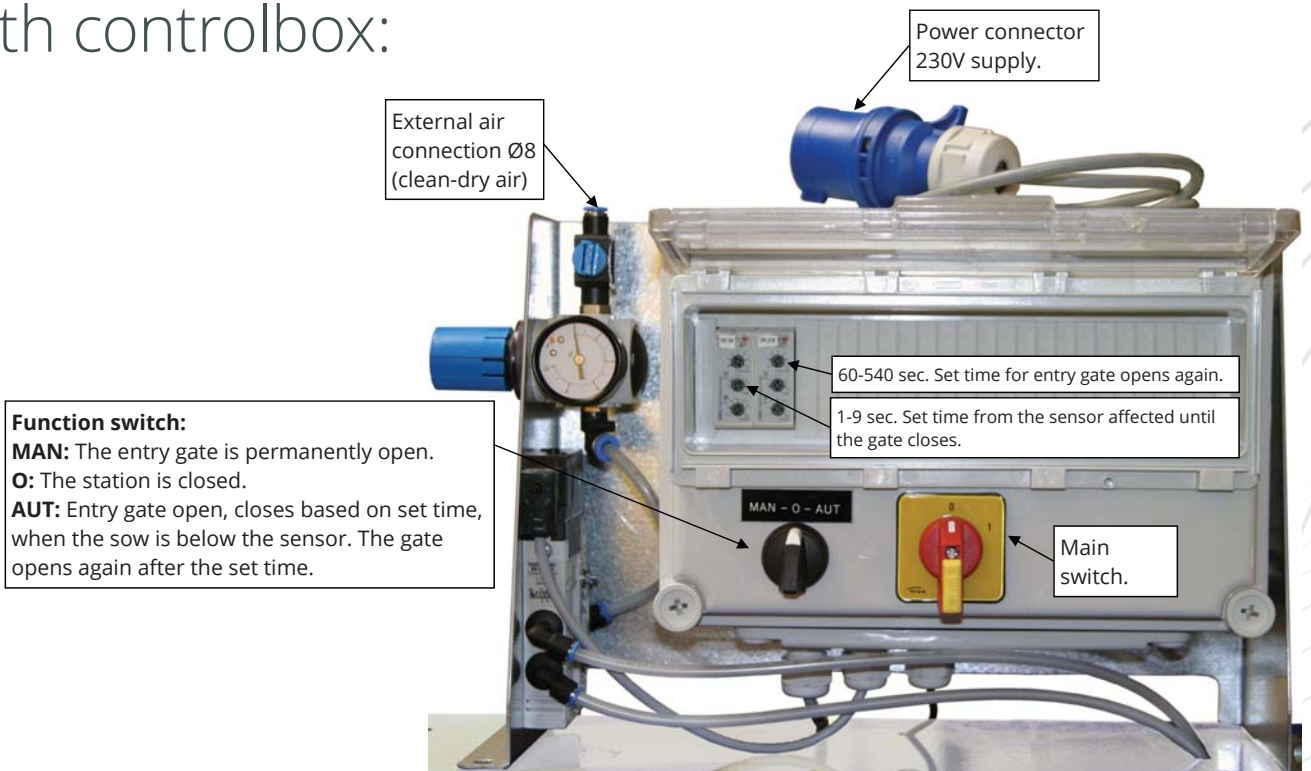
ESF training station with controlbox:

ESF training station without controlbox:



There must always be 300mm from the wall to the entry gate/exit door, to prevent the sows, from lying down in front of the entry gate or the exit door.

ESF training station with controlbox:



Function switch:
MAN: The entry gate is permanently open.
O: The station is closed.
AUT: Entry gate open, closes based on set time, when the sow is below the sensor. The gate opens again after the set time.