



## SKIOLD HAMMER MILL DM6-M

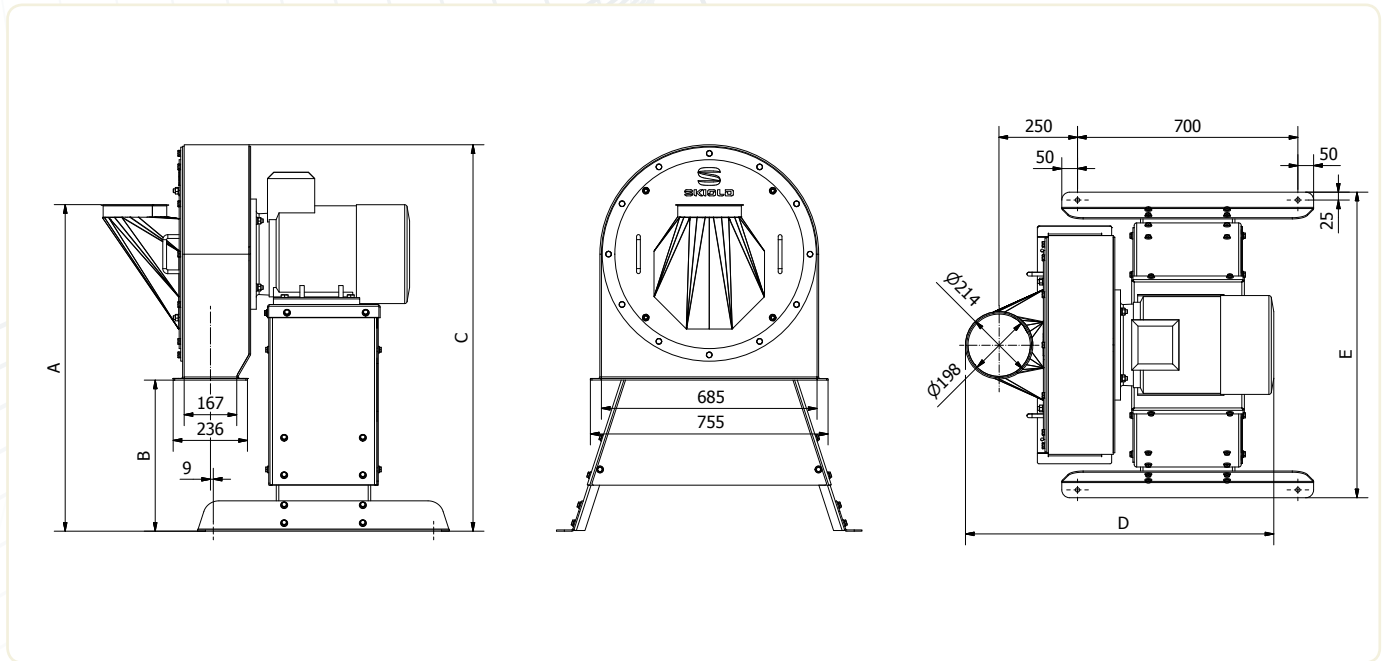


SKIOLD MAKES THE DIFFERENCE!

### **SKIOLD HAMMER MILL DM6-M**

- Low heat generation
- Less condensation
- Low power consumption
- High capacity
- Simple and reliable construction
- Special version for CCM maize
- 7,5 - 22kW motor

# SKIOLD HAMMER MILL DM6-M



## TECHNICAL SPECIFICATIONS

### DM6-M

Motor	7,5 - 11 - 15 - 18,5 - 22 kW 2800 rpm
Screen area	2700 cm <sup>2</sup>
Screen types	Ø plate screen / □ inter-woven screen
Number of hammers	28
Noise level	Approx. 85 dBa
Shipping weight	255 - 265 - 280 kg
Guiding capacity	350-6500

## CAPACITY

Measured in storage dry and well cleaned crops, max. kg/h with motor sizes 7.5 - 22 kW

### Material    Ø 4,0 mm screen    □ 4,0 mm inter-woven screen

Barley	950-3200	1200-4000
--------	----------	-----------

Wheat	1250-4200	1250-4200
-------	-----------	-----------

Oats	350-1400	500-1800
------	----------	----------

Maize	1650-5300	1950-6500
-------	-----------	-----------

The capacity varies depending on screen size, motor size, moisture contents and type of cereal

Measure sketch DM6-M:

DM6-M	A	B	C	D	E
11 kW				982	971-1146
15 kW	1039-1310	480-750	1230-1500		
18,5 kW				1037	

**NB!** When grinding moist material the capacity will be reduced by 5 % each time the moisture contents are increased by 1 %.

DM6-M is intended for maize with up to 40 % moisture content. The mill can also be used for dry crops like the DM6-G.