



# HOPPER TRANSPORK®



SKIOLD MAKES THE DIFFERENCE!

- The Hopper is made of stainless steel.
- Fitted with stone trap.

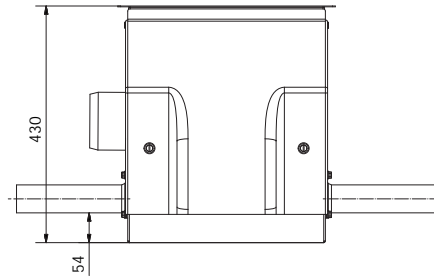
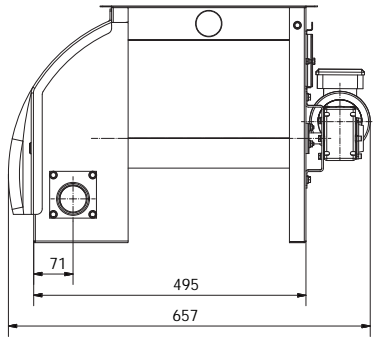
## TECHNICAL SPECIFICATIONS:

Data/Item number	140 132 321 200	140 132 321 100	140 132 320 300	140 132 320 200
Pipe Diameter	Ø50,8mm	Ø50,8mm	Ø50,8mm	Ø50,8mm
Capacity* litre/hour	630	600	1000	1100
Supply Voltage	3x230V/3x400V			3x230V/3x400V
Motor Size / Frequency	0,09kW 50Hz			0,09kW 50 Hz
Current at 230V/400V	0,74/0,43A			0,74/0,43A
Rotational Speed	1320 rpm	cable driven	cable driven	1320 rpm
Linear speed at the Drive unit	22 metres/minute	22 metres/minute	22 metres/minute	22 metres/minute
Revolutions p/m at the Hopper	26 rpm	29 rpm.	29 rpm	33 rpm
Gear Ratio at the Hopper	50:1	cable driven	cable driven	40:1
Auger diameter/pitch	Ø100/70	Ø100/60	Ø100/100	Ø100/100

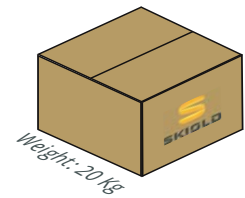
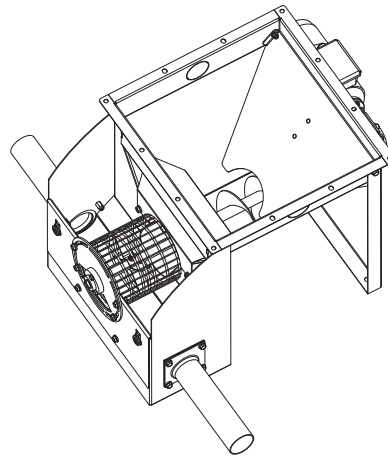
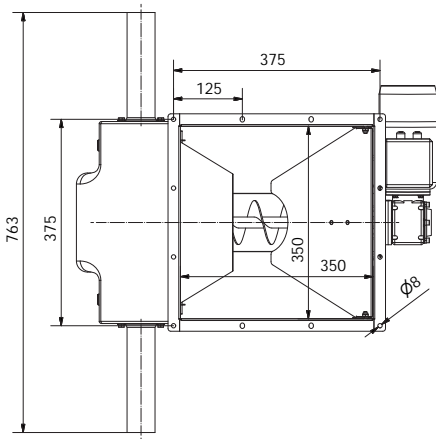
\*Guideline density: Flour = 0,55 kg/liter, Pellets = 0,7 kg/liter.

Please note: Capacity in flour feed can vary considerably, depending on the feed's nature.





All measures in mm.



### TECHNICAL SPECIFICATIONS:

Data/Item number	140 132 320 400	140 132 321 400
Pipe Diameter	Ø60,0mm	Ø60,0mm
Capacity* litre/hour	1440	2700
Supply Voltage	3x230V/3x400V	3x230V/3x400V
Motor Size / Frequency	0,09kW 50Hz	0,09kW 50 Hz
Current at 230V/400V	0,74/0,43A	0,74/0,43A
Rotational Speed	1320 rpm	1320 rpm
Linear speed at the Drive unit	22 metres/minute	34 metres/minute
Revolutions p/m at the Hopper	52 rpm	88 rpm
Gear Ratio at the Hopper	25:1	15:1
Auger diameter/pitch	Ø100/80	Ø100/90

\*Guideline density: Flour = 0,55 kg/liter, Pellets = 0,7 kg/liter.

Please note: Capacity in flour feed can vary considerably, depending on the feed's nature.