



LOW LEVEL SENSOR FOR SILO



SKIOLD MAKES THE DIFFERENCE!

Technical information:

Measures W x H x D	: 185 x 290 x 145 mm
Shipping weight	: 3,5 kg
Temperature range	: -20 til +70°C / -4 til +158°F
Supply	: 1*230 V+N+PE / 50 Hz
Pre-fuse	: Max 10 A
Internal signal voltage	: 24 Vac
Protection class	: IP55
Load switches	: Max 5A

Article numbers:

130 001 400 880	: Control box complete incl. sensor with 2 meter cable. Fastening plugs and screws to the box for simple wall mounting.
-----------------	--

Spare parts:

140 601 070 120	: Sensor, capacitive, VC12RT924 10M.
130 002 383 330	: Screwed connection M50x1,5 grey IP68 - for sensors.
130 002 383 379	: Nut M50x1,5 grey - for connection.



Low level sensor for silo

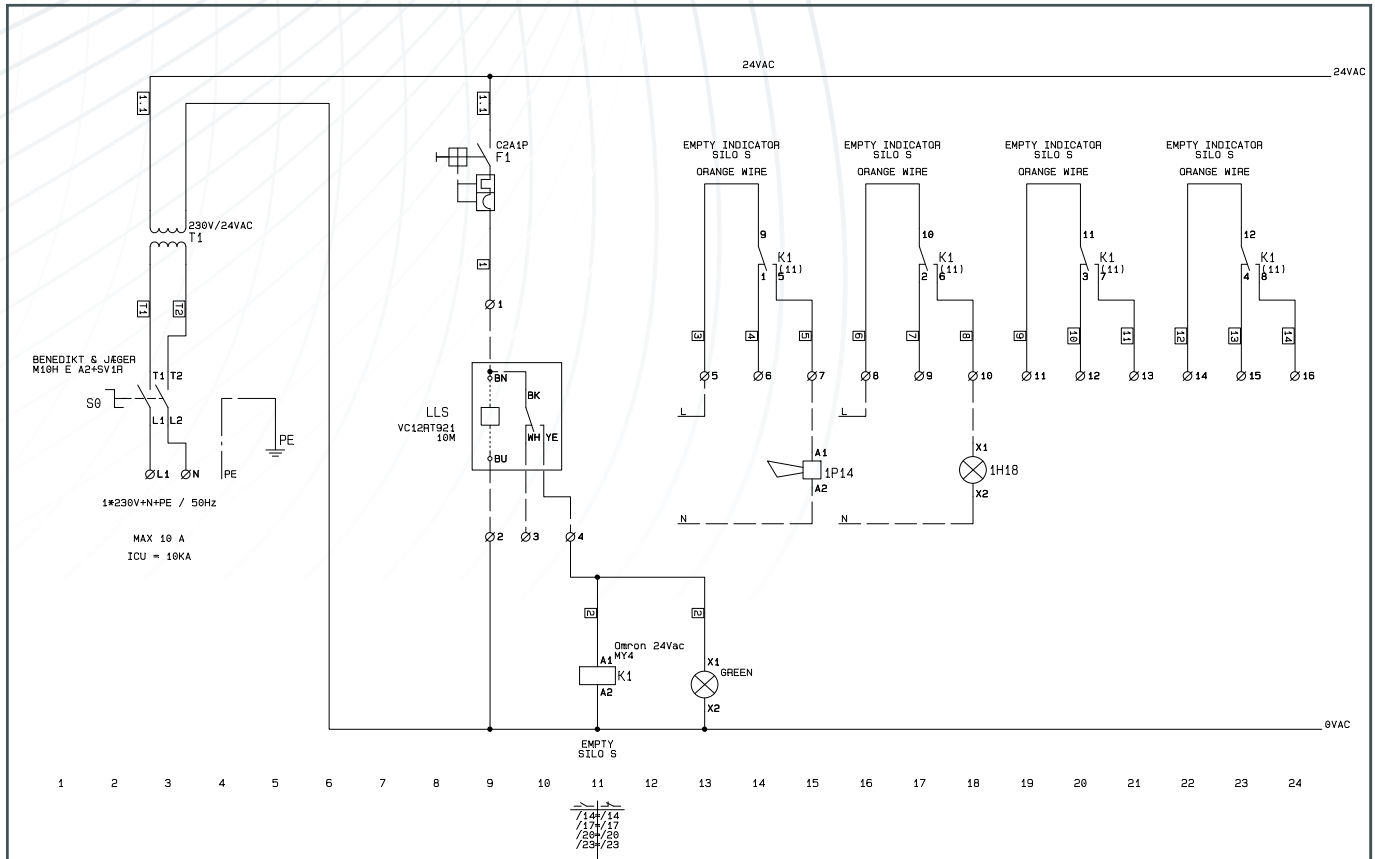
Functional description:

Low level sensor for silo. A lamp indicates when the silo is empty. At the same time there are four contact sets, all Nc/No, that can be used for external alarm light / alarm horn, or can be used as signal to the overall control unit, with information about silo level, empty or not.

Mounting:

The control box must be mounted near the silo, as the sensor is delivered with 2 meters of cable, and the cable should preferably not be extended. The control box can be mounted outside, as the cabinet is IP55.

The diagram below shows a lamp and an alarm horn, as an example of how to connect external equipment.



skioold A/S
 Øjlegaardsvej P.O. Box 143
 K-9388 Sæby Denmark
 Tlf.: 9989-8877
 fax.: 9989-8877
 e-mail: skioold@skioold.com



Project: Box silo indicator	Nr.: 1400880	Constructor: CO	Date: 19-04-2016
Customer: Skioold		Approved:	Page: 1 of: 1

Sensors adjustment and function:

ADJUSTMENT



Delay

Zeitverzögerung
 temporisation
 retardo
 ritardo all'attivazione
 tidsforsinkelse

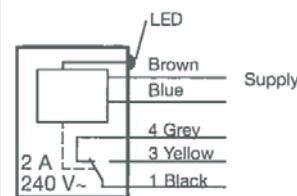
Distance

Abstand
 distance
 distancia
 distanza
 tastaefstand

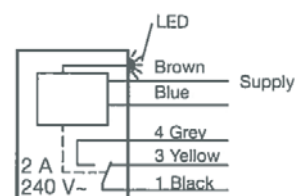
LED

LED-Anzeige
 LED d'indication
 indicación LED
 indicazione a LED
 lysdiodeindker ng

WIRING DIAGRAMS



Sensor activated



Sensor not activated