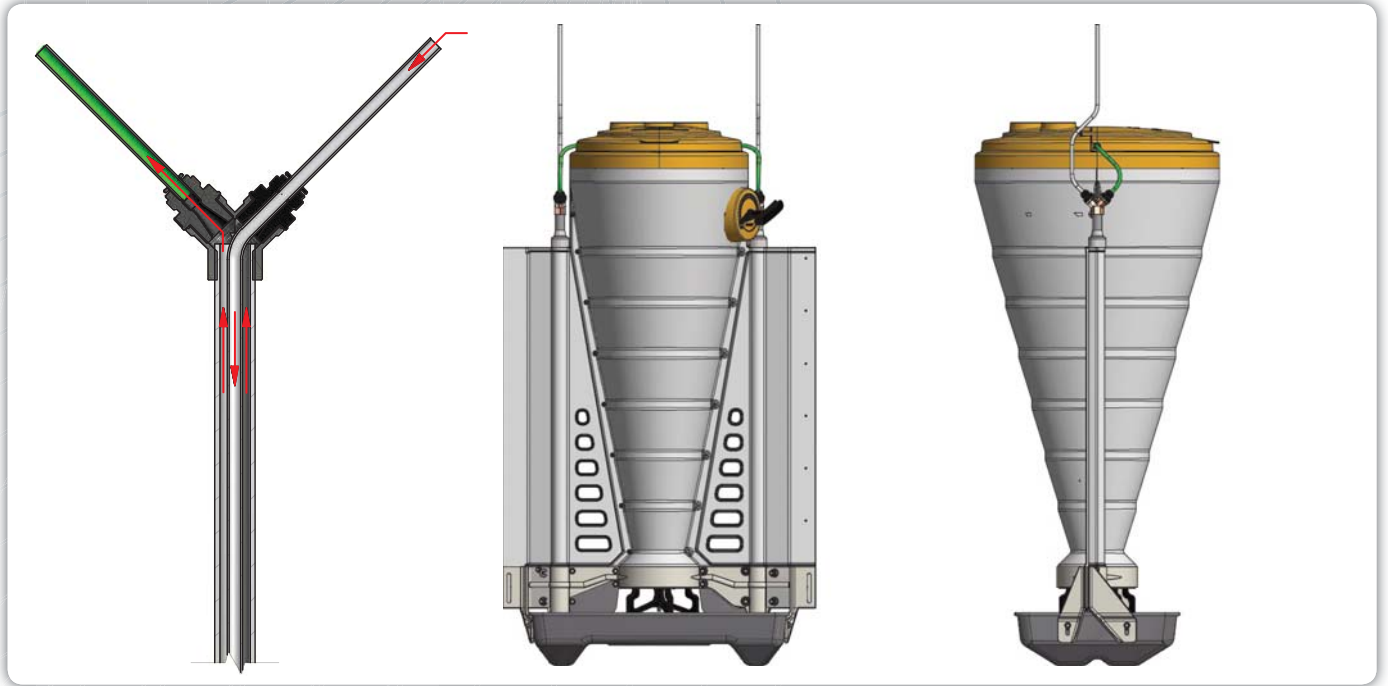




MAXIMAT PORKER / WEANER



MINIMUM FLUSHING TIME / MIN.

Hose Length	60 metres	80 metres	100 metres	120 metres	140 metres	160 metres
5	7	10	12	15	17	20
6	6	8	10	12	14	17
7	5	7	9	11	12	14
8	5	6	8	9	11	12
9	4	6	7	8	10	11
10	4	5	6	7	9	10
11	3	5	6	7	8	9

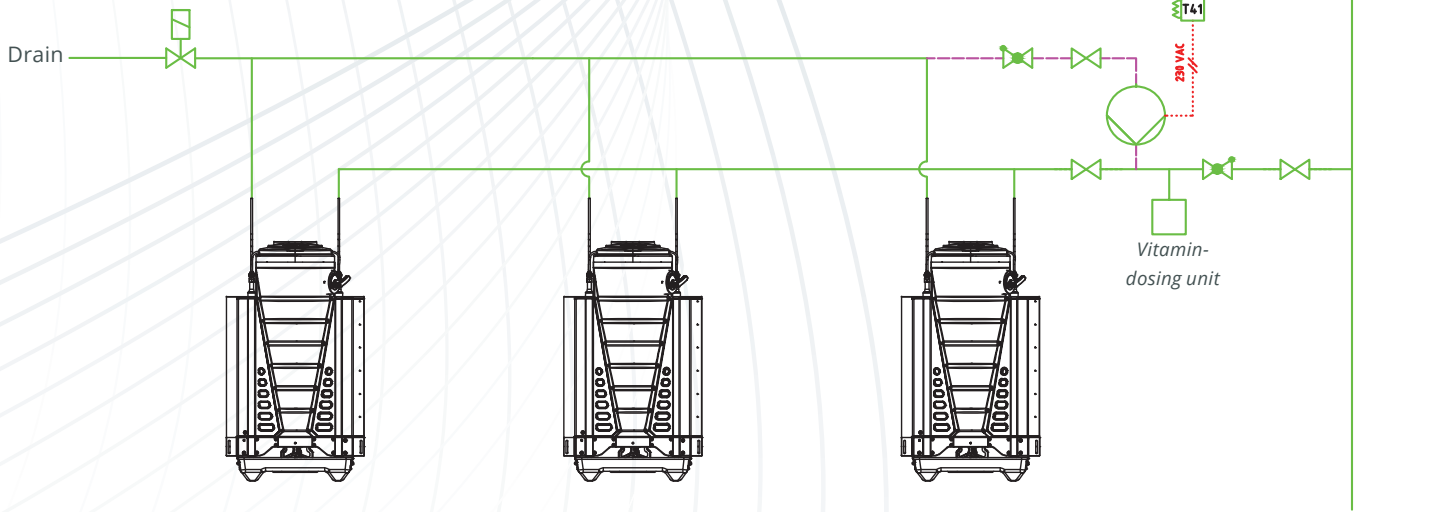
Item number	Description	Comments
140 171 000 660	Flushing system Porker/Weaner	Contains fittings for one water tube
140 631 501 806	Hose 8/6 black	Available in 50 metre bundles
140 673 541 507	T-branch	
140 673 541 519	Stop valve	
140 171 000 620	Wean to Finish, std. with flushing system	Assembled
140 171 000 621	Wean to Finish, std. with flushing system	Unassembled

The flushing system is shown as an example only and is not a part of SKIOLD's delivery. The minimum flushing time can be determined using the hose length from water inlet to drain and water amount at the drain measured in litres/minute. The total minimum flushing time can then be established using the table above. Please note: 1 set per water tube.

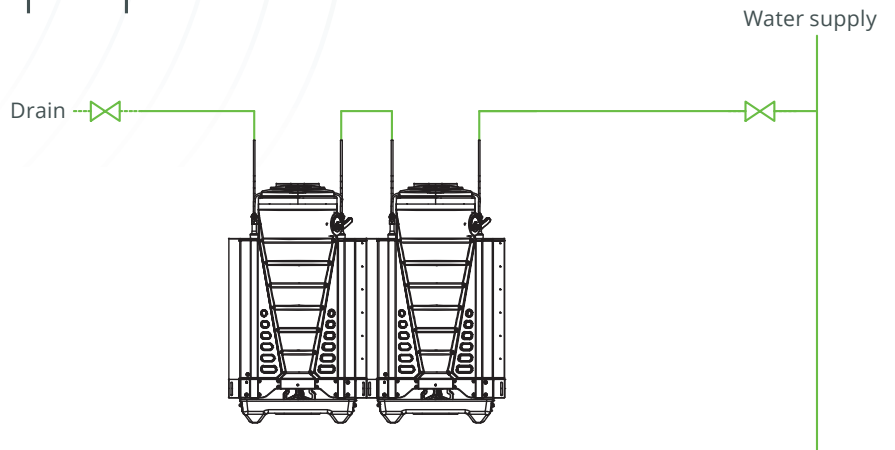


Metres

Flushing system proposal 1



Flushing system proposal 2



Flushing system proposal 3

