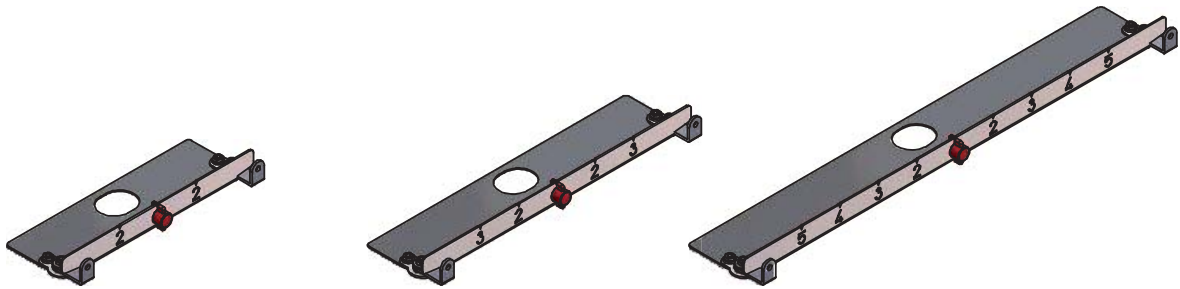




SKIOLD PHASE FEEDING SHUTTER "LF"



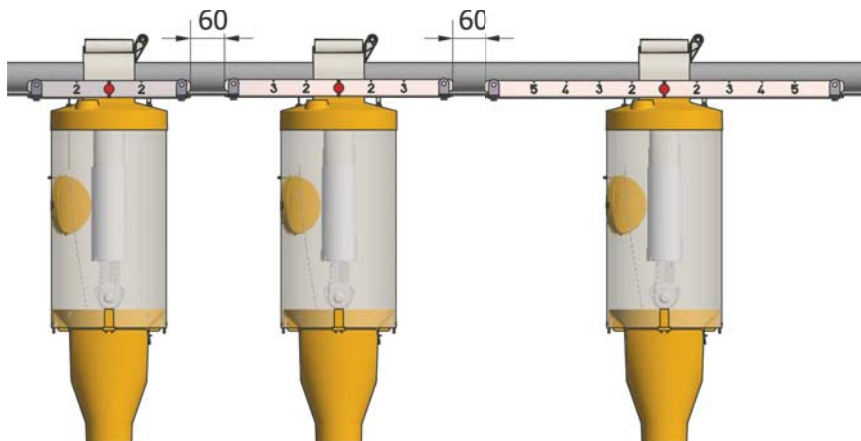
SKIOLD MAKES THE DIFFERENCE!

Article no.	Text	Center distance between shutter
140 167 000 200	Complete phase feeding shutter without feed outlet, 2 phases "LF"	min. 230mm
140 137 000 300	Complete phase feeding shutter without feed outlet, 3 phases "LF"	min. 460mm
140 137 000 500	Complete phase feeding shutter without feed outlet, 5 phases "LF"	min. 690mm
Phase feeding shutter 140 137 000 300 can be used for yellow and blue feed outlets as well as volume dispensers.		
The travel between each phases is 57 mm.		
Mentioned measures are minimum measures and must be observed during installation.		

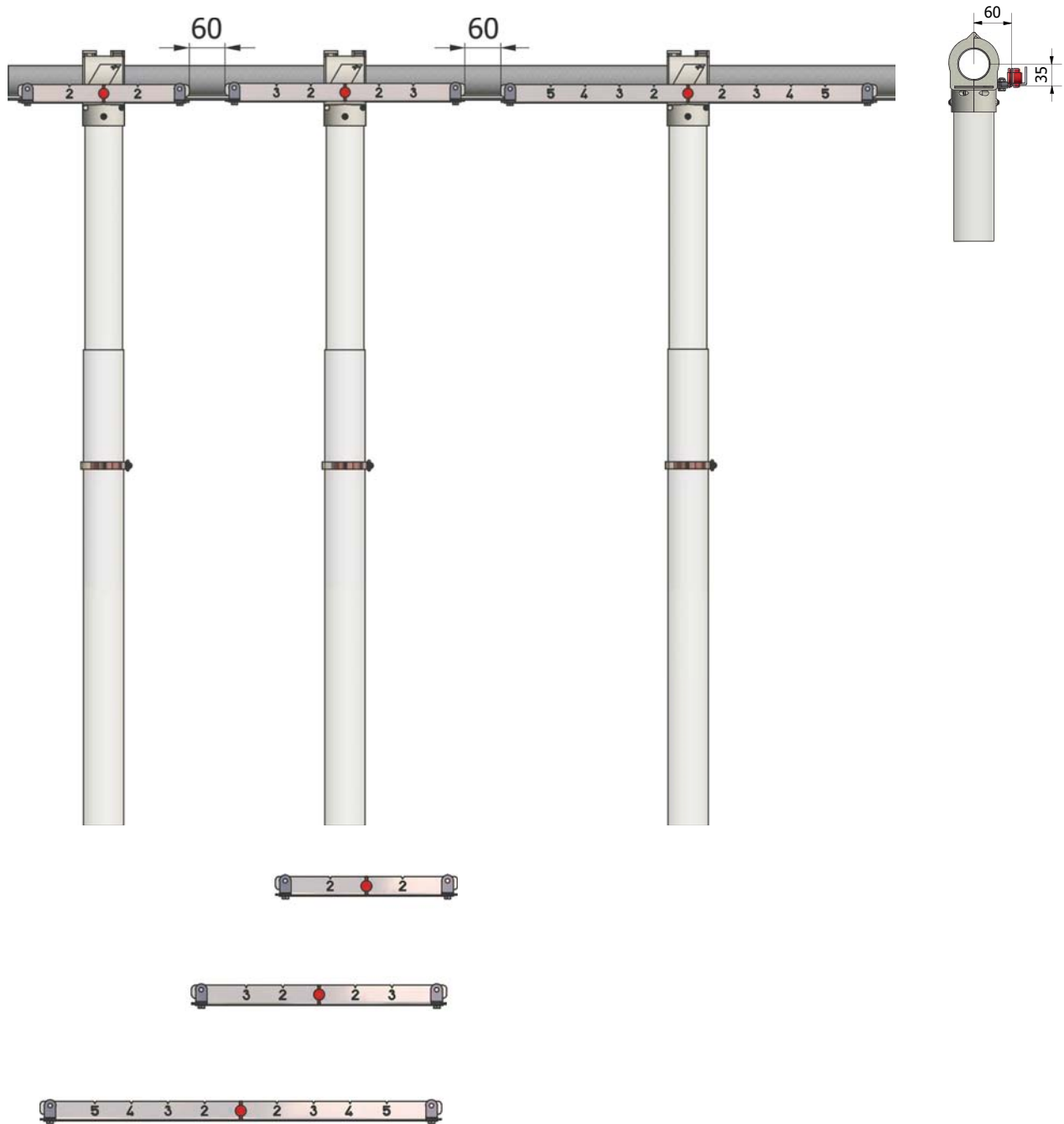
*** ATTENTION**

Minimum distance must be increased by 60mm per phase when feeding with individual mixtures.

Eg. at 2, 3 and 5 phases.



Eg. at 2, 3 and 5 phases.



Article no.	Text	Center distance between shutter
140 167 000 820	Feed outlet for phase feeding, $\varnothing 50,8$ mm, telescopic, 2 phases "LF"	min. 230mm
140 167 050 830	Feed outlet for phase feeding, $\varnothing 50,8$ mm, telescopic, 3 phases "LF"	min. 460mm
140 167 050 850	Feed outlet for phase feeding, $\varnothing 50,8$ mm, telescopic, 5 phases "LF"	min. 690mm
Phase feeding shutter 140 137 000 300 can be used for yellow and blue feed outlets as well as volume dispensers.		
The travel between each phases is 57 mm.		
Mentioned measures are minimum measures and must be observed during installation.		

*** ATTENTION**

Minimum distance must be increased by 60mm per phase when feeding with individual mixtures.