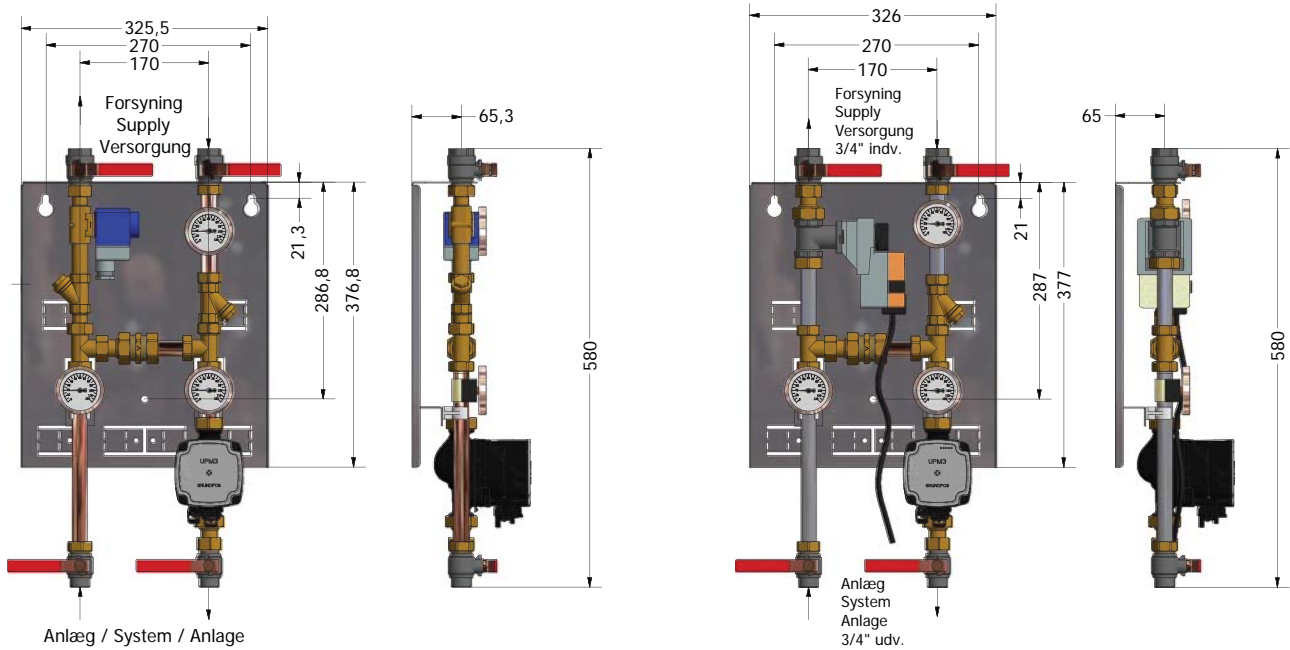




SKIOLD RHS RADIATOR HEATING SHUNT



SKIOLD MAKES THE DIFFERENCE!

140 004 900 520 - 140 004 900 524

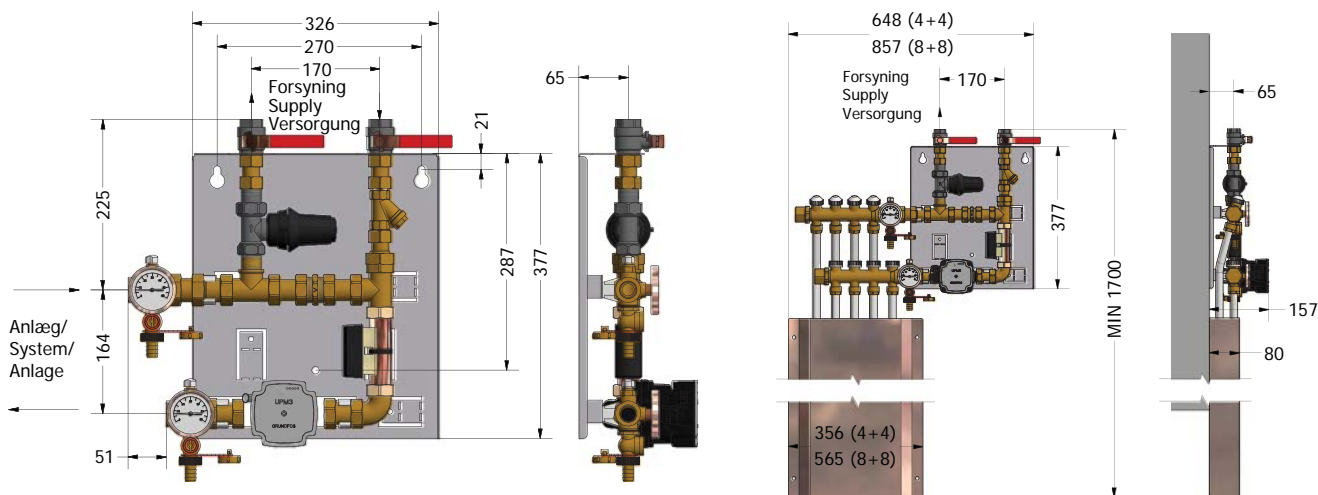
All measures in mm

SKIOLD RHS - Radiator Heating Shunt - for room temperature adjustment of room heating systems supplied with SKIOLD hot dip galvanized fin tubes.

- Standard sizes from 1,0 – 6,3 kvs
- Water amount up to 2,2 m³/h equivalent to 51 kW at inlet temperature 70°C and outlet temperature 50°C.
- Embedded filter
- Motor valve 0-10 VDC/230 VAC for full automatic adjustment by ventilation control unit
- 0-120°C thermometres the inlet supply, inlet section and outlet section
- Stainless steel tubes and mounting plate
- GRUNDFOS UPM3, circulation pump.
- Laterally reversible
- Supply connections: ¾" female thread
- System connections: ¾" male thread
- Pressure grade PN 10

FACTS	
Item Number	Description
140 004 900 505	SKIOLD RHS 1,5 kvs on/off, 24 VAC
140 004 900 520	SKIOLD RHS 1,0 kvs 230 VAC
140 004 900 521	SKIOLD RHS 1,6 kvs 230 VAC
140 004 900 522	SKIOLD RHS 2,5 kvs 230 VAC
140 004 900 523	SKIOLD RHS 4,0 kvs 230 VAC
140 004 900 524	SKIOLD RHS 6,3 kvs 230 VAC

SKIOLD FHS FLOOR HEATING SHUNT



All measures in mm

SKIOLD FHS - Floor Heating Shunt - for adjusting floor heating in farrowing houses, weaner houses or similar housing units.

- 2 – 8 circuits per shunt/20x2mm PEX
- Easily read 0-60°C thermometres on both inlet and outlet
- Stainless steel tubes and mounting plate
- Brass fittings
- Embedded filter
- GRUNDFOS UPM3, circulation pump.
- Danfoss thermo-valve type FTC
- 3/4" socket connections
- Stainless steel cover option
- Low maintenance
- Laterally reversible

FACTS

Item number	Description
140 004 900 022	SKIOLD FHS 2+2
140 004 900 033	SKIOLD FHS 3+3
140 004 900 044	SKIOLD FHS 4+4
140 004 900 055	SKIOLD FHS 5+5
140 004 900 066	SKIOLD FHS 6+6
140 004 900 077	SKIOLD FHS 7+7
140 004 900 088	SKIOLD FHS 8+8
140 004 907 000	Cover for 2+2 til 4+4
140 004 907 005	Cover for 5+5 til 8+8