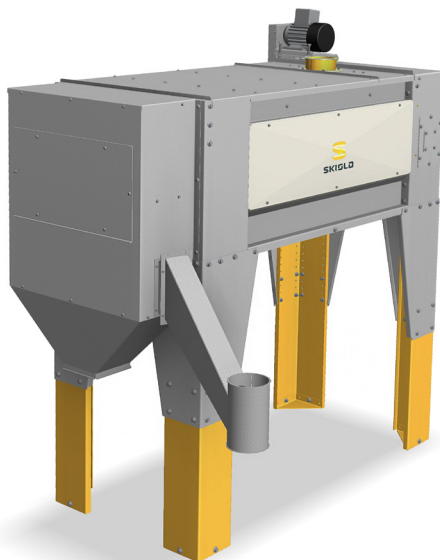




SKIOLD SCREEN CLEANER



SKIOLD MAKES THE DIFFERENCE!

SKIOLD SCREEN CLEANER

Compact cleaner – industrial working principle

Sealed design minimizing dust emission

Self cleaning screens

Quick exchange of screens

Easy connection to e.g. SKIOLD disc mills

Capacity 6 t/h (wheat/barley)

SKIOLD SCREEN CLEANER

The SKIOLD screen cleaner is designed for efficient cleaning separating both under- and oversized impurities from many different sorts of raw materials for animal feed e.g. wheat, barley, maize, peas, etc.

The SKIOLD screen cleaner meets the still higher demands on eliminating dust emission due to its sealed design and preparation for an additional dust-filtering unit if required.

The size of the holes of the upper screen must be adapted to the materials to be cleaned, the required cleaning effect and capacity.

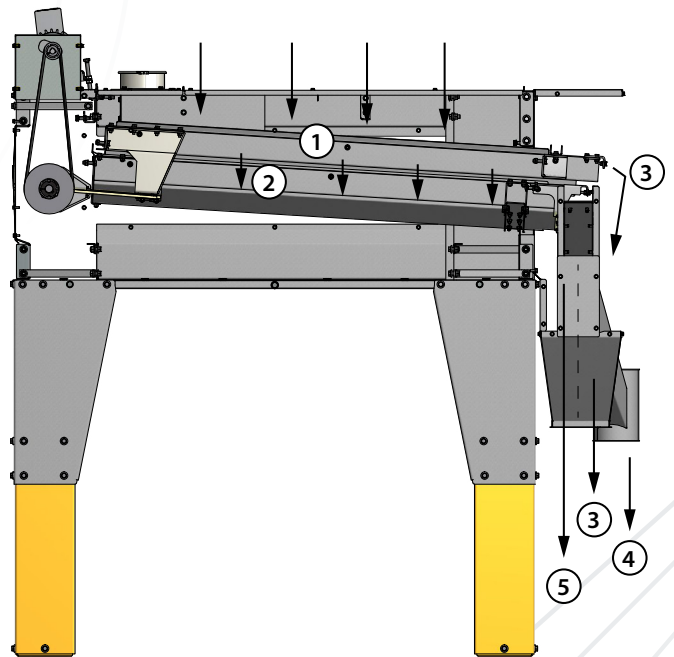
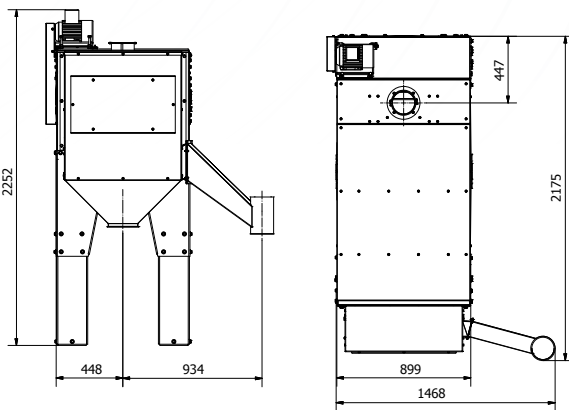
As an all round solution to raw materials like barley and wheat a $\varnothing 8$ mm upper screen is recommended. On request the cleaner comes with special sieve trays with rubber balls ensuring self-cleaning screens.

TECHNICAL SPECIFICATIONS

	Barley/wheat/rye/oats	Rapeseed	Peas	Maize
	Pre cleaning	Pre cleaning	Pre cleaning	Pre cleaning
Upper screen	$\varnothing 8 - 10$	$\varnothing 6$	$\varnothing 10$	$\varnothing 13 - 15$
Lower screen	$\varnothing 1,5 \times 20$	$\varnothing 1,0 \times 20$	$\varnothing 2,5 \times 20$	$\varnothing 2,5 \times 20$

Cleaning Principle

1. Upper screen, many sizes
2. Lower screen, many sizes
3. Straw, wood pieces, strings, stones etc.
4. Cleaned raw material to the grinding unit
5. Sand, dust, weed seeds



TECHNICAL SPECIFICATIONS

Motor (kW)	0,55
Screen area upper (m ²)	1,02
Screen area lower (m ²)	0,98
Vibrations per sec.	8,21
Capacity max. (t/hr)	6

