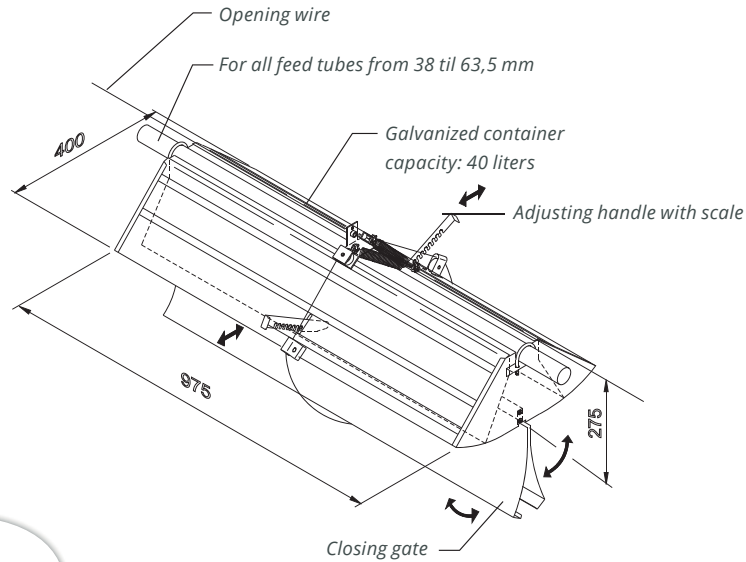




TRANSPORK FLOOR FEEDER



SKIOLD MAKES THE DIFFERENCE!

All measures in mm.

The SKIOLD floor feeder for unte-thered sows, gilts and porkers is used as an integrated part of the feeding systems. The feeder is made of profiled, galvanised steel plates in order to keep its construction as firm as possible under all circumstances. The 2-winged bottom shutter ensures an equal distribution of feed to all the animals in the pen at the same time. Integrated into the conveyor, the feeder fits its purpose excellently because of the moderate demand of space under the conveyor. Therefore it also fits into low buildings without affecting the free space or passage at the stable entrance. A good choice if you wish to consider a demand for feed distribution to a wider area in the stable without being annoyed of low hanging installations.

Items no.	Description
140 000 890 750	Floor feeder, 40 liters
140 116 200 000	Floorfeeding dispenser 40 litres, incl. wire connection
140 649 150 038	U-clamp 38 mm complete
140 649 108 045	U-clamp 45 mm complete
140 649 150 080	U-clamp 50,8 mm complete
140 649 150 060	U-clamp 60 mm complete
140 649 150 085	U-clamp 63 mm complete

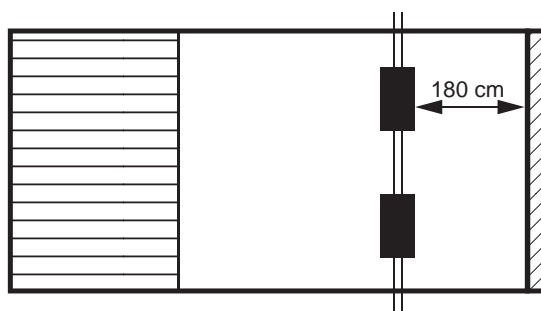




ATTENTION!
 Max. 10 pieces Floorfeeding dispensers per piano wire 2,2 mm.
 Max. 16 pieces Floorfeeding dispensers per piano wire 2,8 mm.



Spreading angle of the feed will be 1½-2 meters, depending on the height in which the floor feeder is mounted.



Recommended minimum distance.