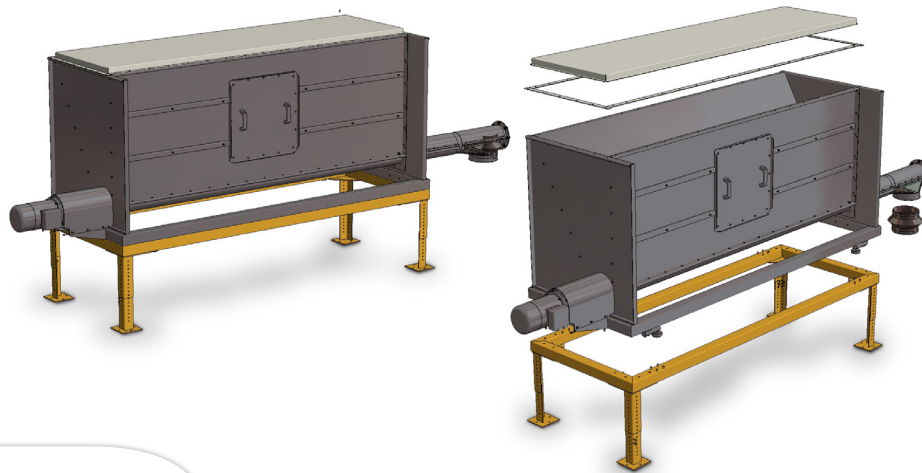




SKIOLD WEIGHING BIN WB300



SKIOLD MAKES THE DIFFERENCE!

SKIOLD WEIGHING BIN WB300

- Used for weighing of premix and minerals
- Capacities from a few kg to 200 kg per intake
- Made in galvanized steel ensuring long service life
- Possibility for extension
- Dustproof for better working environment
- High weighing accuracy
- Practical dosing from the top
- Load cells are not influenced from transport system

SKIOLD WEIGHING BIN - WB300

SKIOLD weighing bin WB300 is used for weighing of premix and minerals with capacities from a few kg to max. 200 kg per intake.

The weighing bin is usually connected to a number of hoppers mounted with a dosing device such as a tubular auger or a flexible auger.

The weighing bin is constructed around an auger and is mounted on 3 load cells.

The weighing bin is designed for weighing of one material at the time.

WEIGHING BIN - DATA

WB300

Max weight (kg):	300
Volume (l):	870
Max intake per position (l):	250
Emptying capacity (l/min.):	300
Static weighing accuracy (g):	+/- 100

