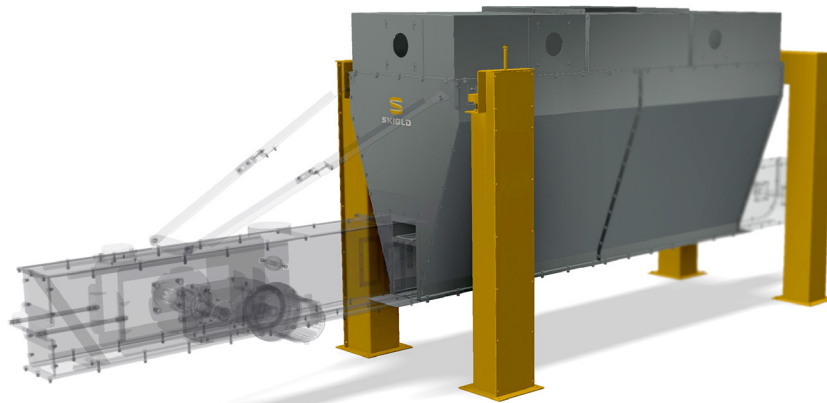




SKIOLD WEIGHING BIN WB500



SKIOLD MAKES THE DIFFERENCE!

SKIOLD WEIGHING BIN WB500

- Used for weighing of premix and minerals
- Capacities from a few kg to 100 kg per intake
- Made in galvanized steel ensuring long service life
- Possibility for extension
- Dustproof for better working environment
- High weighing accuracy
- Dosing from side inlet in the top
- Load cells are not influenced from transport system

SKIOLD WEIGHING BIN - WB500

SKIOLD weighing bin WB500 is used for weighing of premix and minerals with capacities from a few kg to max. 100 kg per intake.

The weighing bin is usually connected to a number of dosing devices such as a tubular auger or a flexible auger.

The weighing bin is constructed around a chain conveyor and is mounted on 3 load cells.

The weighing bin is designed for weighing of one material at the time.

The weighing bin is available with max. 12 dosing units.

WEIGHING BIN - DATA

	WB500
Max weight (kg):	500
Volume at L = 4,8 metres, 4 bins (l):	2270
Volume at L = 7,4 metres, 8 bins (l):	4540
Volume at L = 10 metres, 12 bins (l):	6810
Max intake one position (l):	300
Emptying capacity (l/min.):	800
Static weighing accuracy (g):	+/- 100

