



## WEIGHT CONTROL AS300



SKIOLD MAKES THE DIFFERENCE!

### DESCRIPTION

The Weight control AS300 is a weighing indicator that convert an analogic signal from load cells to a 5 digits value.

Because of its flexible setting, it can be used for many applications such as weighing mixers, tanks, animal .... Best accuracy is obtained with 2mV/V load cells. Up to 4 Load cells can be connected, with a large capacities range (10 kg to 50 00 kg).

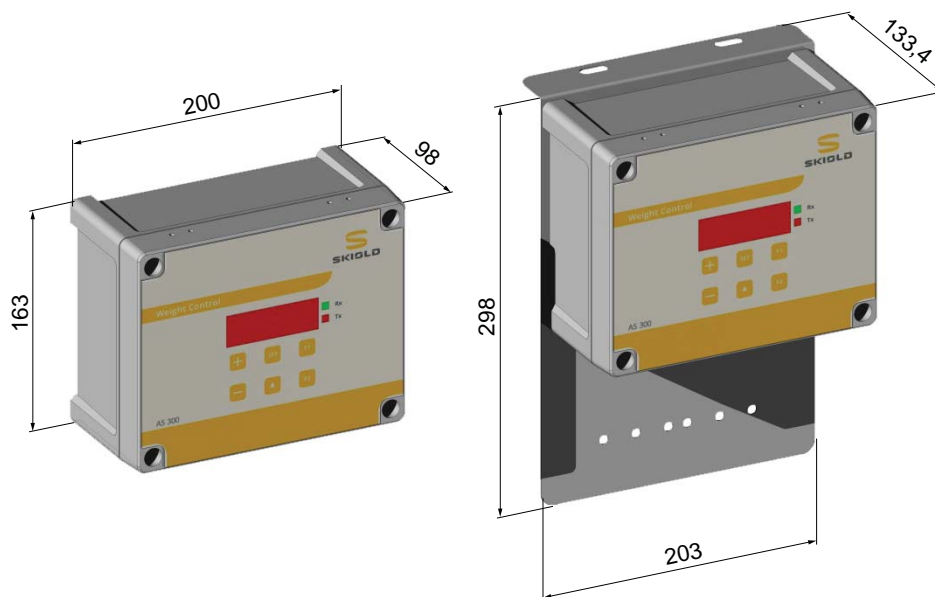
Four devices are available according to the following features : 24volts power supply, 230 volts power supply , 2 relays , stainless bracket for easy mounting.

Item number	Description
140002386650 / EL1179	Weight control AS300, 24VDC , stainless steel bracket
140002386652 / EL1205	Weight control AS300, 230VAC, 2 relays
EL1202	Weight control AS300, 24VDC
EL1203	Weight control AS300, 230VAC



# TECHNICAL FEATURES

Description	Weight control AS300, 24VDC, (stainless steel bracket)	Weight control AS300, 230VAC	Weight control AS300, 230VAC, 2 relay
PVC box IP65.	✓	✓	✓
4 gland M20 with 2 plugs + 4 gland M12 with 3 plugs + 2 insert reducing peelable	✓	✓	✓
On the front: Keyboard 6 keys. Display 5 digits height=14.2mm led.	✓	✓	✓
RS485 serial link 9600 bauds opto (2500V insulation).	✓	✓	✓
2x NPN transistor output 24Vdc 100mA maxi.	✓	✓	✓
Direct connection of sensors on 3 removable connectors.	✓	✓	✓
Sensibility 1mV/V or 2mV/V, calibration and filtering.	✓	✓	✓
Possibility to put up to 4 sensors 350ohms or 700ohms.	✓	✓	✓
Power supply: 18 to 30 VDC, 100 mA.	✓		
Power supply : 100-240Vac 50 to 60HZ 0.7A		✓	✓
2 Relay 24vdc 2RT 230Vac 2A			✓
Temperature range : -20°C to + 50°C	✓	✓	✓
Dimensions: 200x163x98mm.		✓	✓
Dimensions: 298x203x133.4mm	✓		
Weight:	1000 g	900 g	950 g
Compliant with the low voltage directive EMC	✓	✓	✓



All measures in mm.